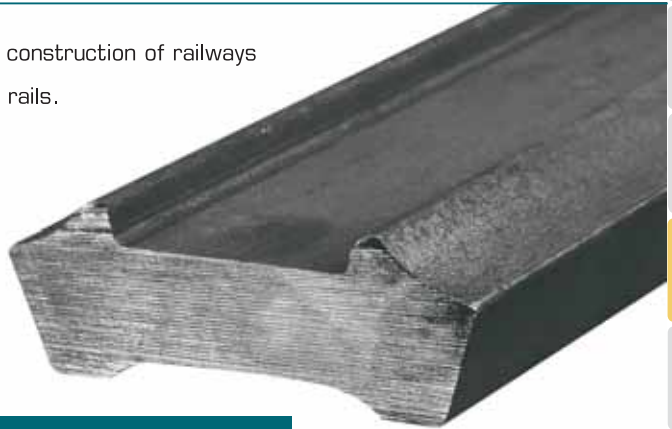




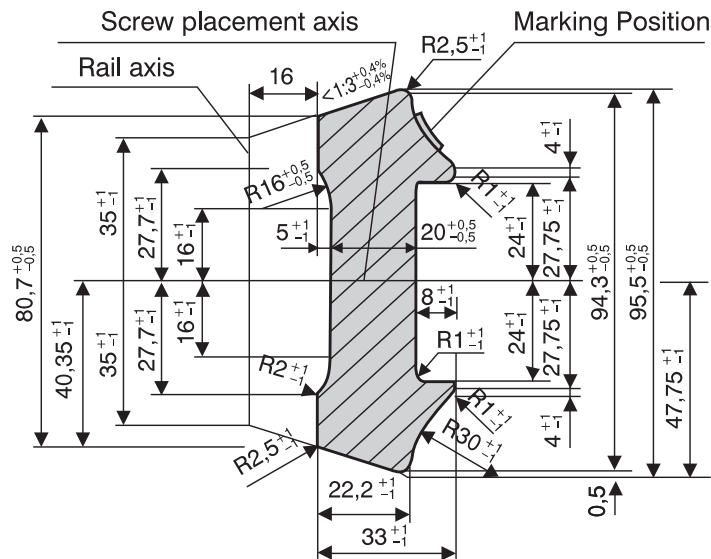
RAILWAY CONNECTIONS

Railway Connections are special hot rolled profiles used for the construction of railways type S49 and they constitute the unions between the individual rails.

The technical characteristics are agreed with the customer, depending on the specifications of each work.



DIMENSIONS & TOLERANCES



SALES NETWORK

www.sidenor.gr

GREECE

SIDENOR SA

33, Amarooussiou-Halandriou str.
GR-15125, Maroussi, Athens, Greece
Tel.: (+30) 210-6787798,
(+30) 210-6787111
Fax: (+30) 210-6787740

BULGARIA

STOMANA SA

www.stomana.bg

1, Vladaisko Vastanie str.
BG-2304 Pernik, Bulgaria
Tel.: (+35) 976-681013
Fax: (+35) 976-681951

STEEL CHEMICAL COMPOSITION & MECHANICAL PROPERTIES

STEEL GRADE	CHEMICAL COMPOSITION			MECHANICAL PROPERTIES		
	C (%) max	P (%) max	S (%) max	YIELD STRENGTH (N/mm ²) min	TENSILE STRENGTH (N/mm ²)	ELONGATION 5d _g , (%) min
C 30	0.34	0.045	0.045	250	450-630	21